

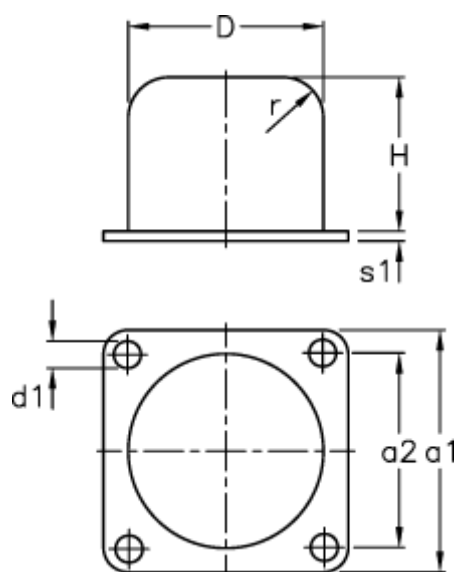
# Data Sheet



Article number: 51803547000010

Description: Vibration damper GP-QP 160x125  
NR shore 57

## Measures



a1 = 200  
a2 = 160  
D = 160  
d1 = 11.0  
H = 125  
Load capacity F (kN) = 240.0  
Load capacity f (mm) = 68  
Load capacity W (J) = 4400

r = 32.0  
s1 = 8